

TX-3535C3FC120-OGHCND34-01F

PRODUCT SPECIFICATION

Features:

- ◆ Excellent transiting heat from LED chip operating under 1000mA.
- ◆ High luminous output.
- ◆ No UV.
- ◆ Encapsulated materials are environmentally certified and meet environmental requirements.

Chip Material:

- ◆ GaN

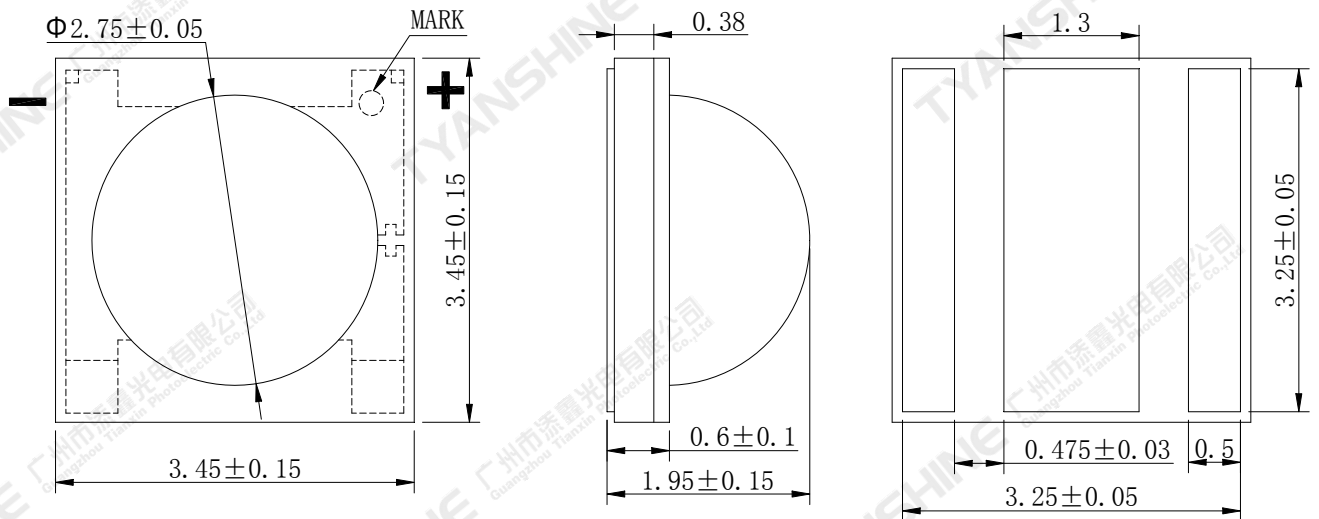
Emitting Color:

- ◆ Cyan

Applications:

- ◆ Portable Flashlight
- ◆ Garden lighting
- ◆ General Lighting

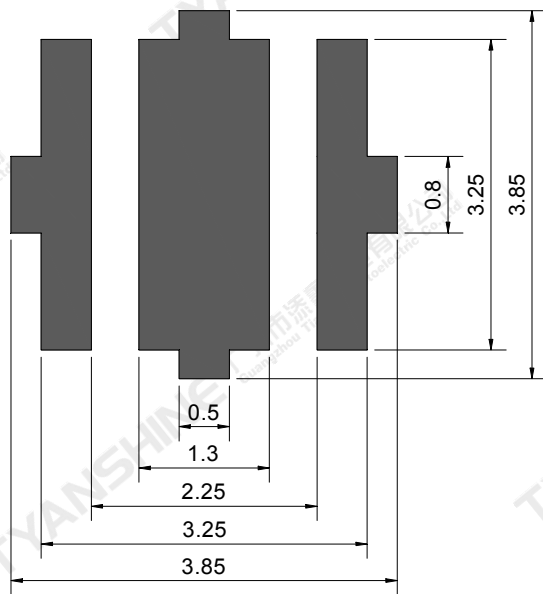
Package Dimensions:



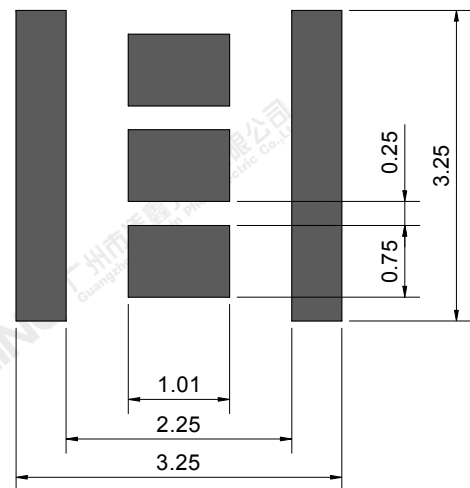
Top view

Side view

Bottom view



Recommended solder pad



Recommended stencil pattern

Notes:

- 1.All dimensions are in millimeters .
- 2.Tolerances unless otherwise mentioned are ± 0.1 mm .

Absolute Maximum Ratings (Tc=25°C)

| Parameter | Symbol | Ratings | Unit |
|---|--------|----------|------|
| Forward Current | IF | 1000 | mA |
| Reverse Voltage | VR | 5 | V |
| Power Dissipation | PD | 3300 | mW |
| Junction Temperature | Tj | 150 | °C |
| Electrostatic Discharge Threshold (ESD) | ESD | 2000 | V |
| Storage Temperature | Tstg | -40~+70 | °C |
| Operation Temperature | Topr | -30~+100 | |

Notes:

- Specifications are subject to change without notice.
- The data on this specification is for reference only and the actual data is in accordance with the acknowledgment.
- Precautions for ESD:
STATIC SHIELD Electricity and surge damages the LED. It is recommended to use a wrist band or anti-electrostatic glove when handling the LED. All devices, equipment and machinery must be properly grounded.

Electrical Optical Characteristics (Tc=25°C)

| Parameter | Symbol | Condition | Min. | Typ. | Max. | Units |
|-------------------------------------|-----------------|-----------|------|------|---------|-------|
| Luminous Flux | ϕ_v | If=350mA | 55 | 70 | — | lm |
| Peak Emission Wavelength | λ_p | | 482 | 489 | 494 | nm |
| Dominant Wavelength | λ_d | | 485 | 492 | 497 | nm |
| Spectral Line Half-Width | $\Delta\lambda$ | | 17 | 22.5 | 27 | nm |
| Forward Voltage | V_f | | 2.8 | 3.1 | 3.3 | V |
| Viewing Angle at 50% IV | $2\theta_{1/2}$ | — | 120 | — | Deg | |
| Reverse Current | I_R | — | — | 2 | μA | |
| Thermal Resistance Junction to Case | $R\theta_{J-C}$ | — | — | 8 | K/W | |
| Temperature Coefficient of Voltage | $V\Delta F/T$ | If=350mA | — | -2 | — | mV/°C |

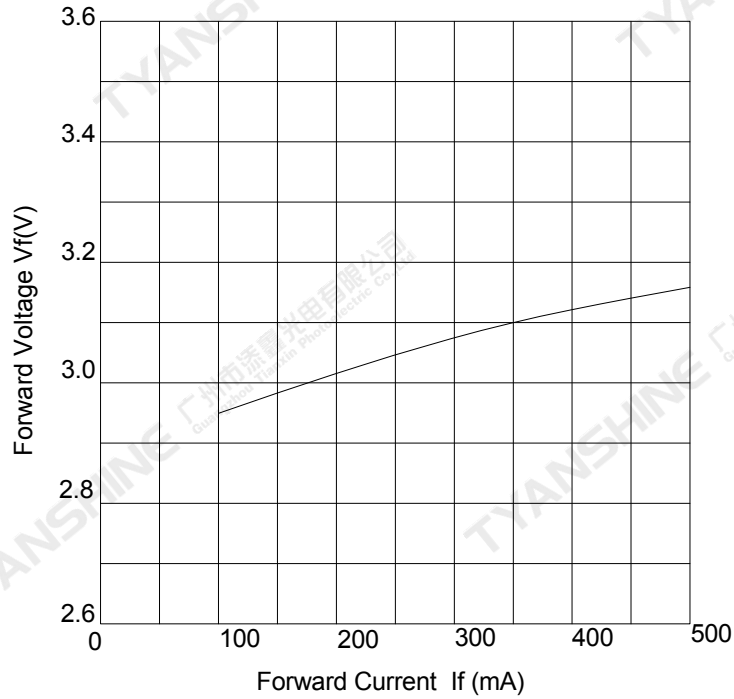
Notes:

- 1.Luminous intensity is measured with a light sensor and filter combination that approximates the CIE eye-response curve.
2. $\theta_{1/2}$ is the off-axis angle at which the luminous intensity is half the axial luminous intensity.
- 3.Luminous flux measurement tolerance:±15%.
- 4.Forward voltage measurement tolerance:±0.15V.

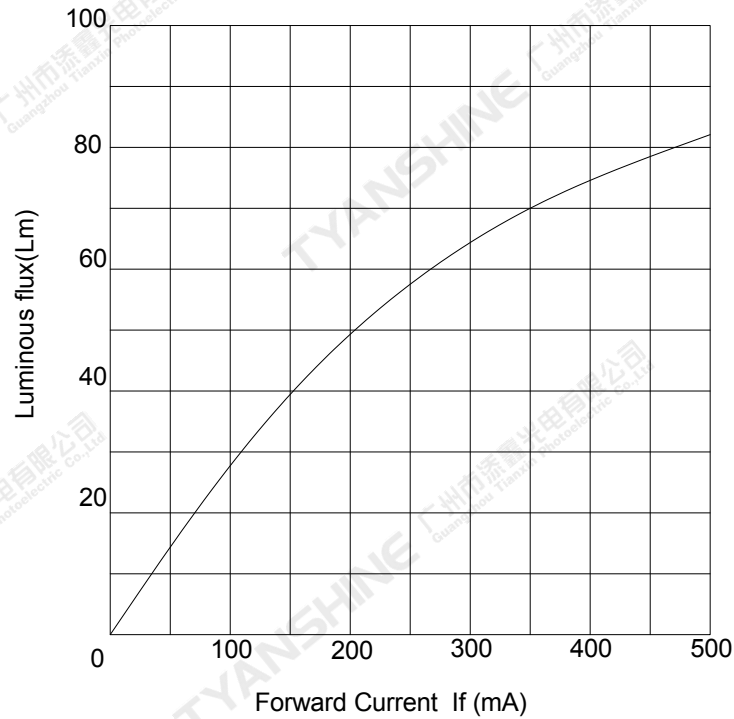
Typical Electrical/Optical Characteristics Curves

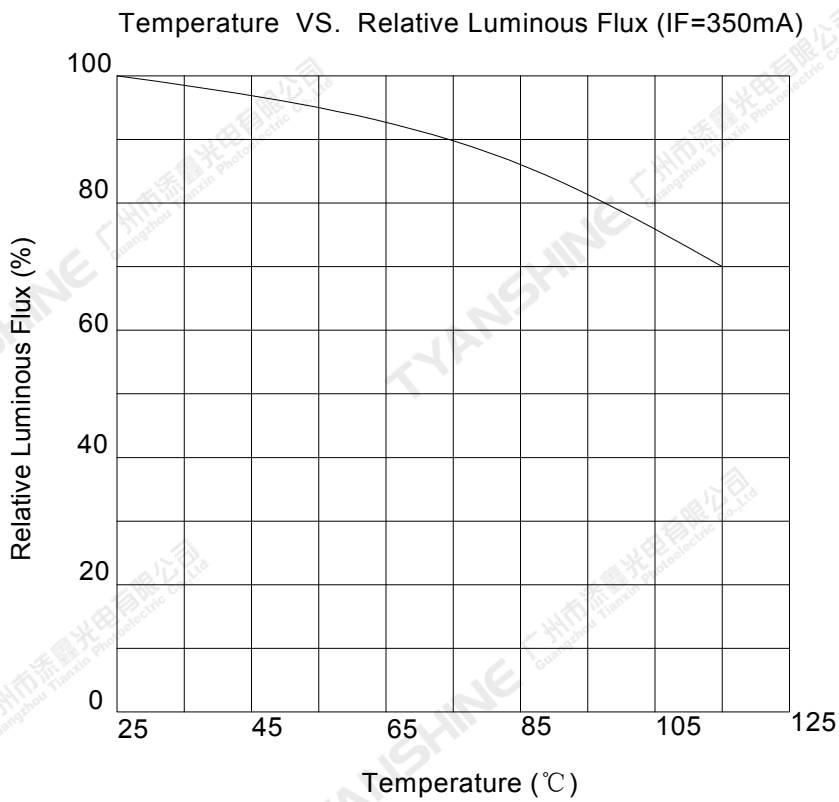
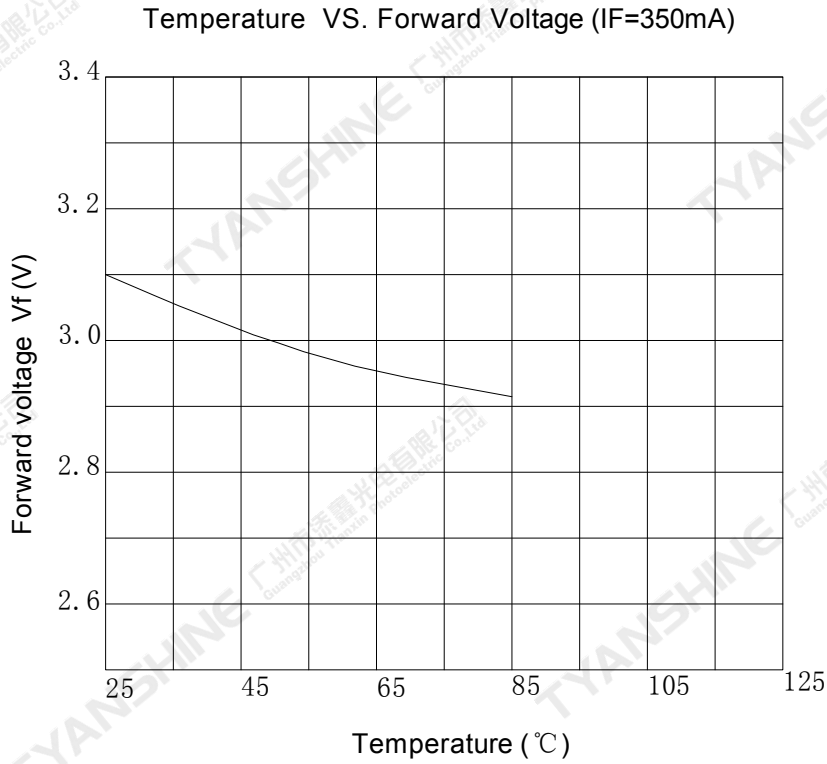
(25°C Ambient Temperature Unless Otherwise Noted)

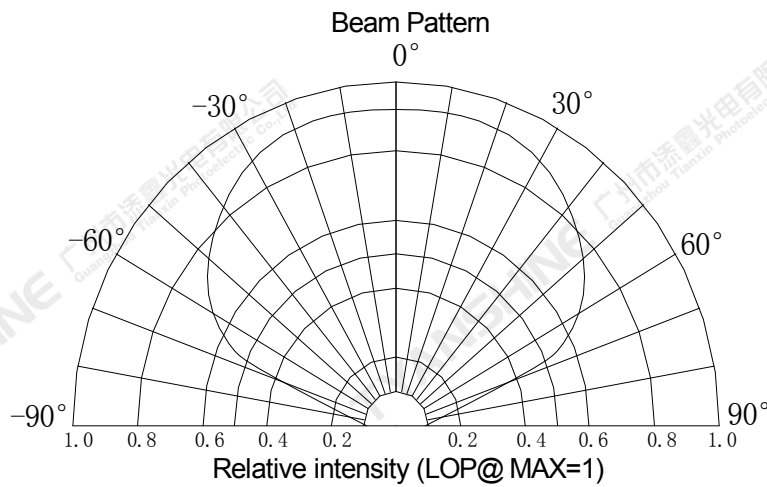
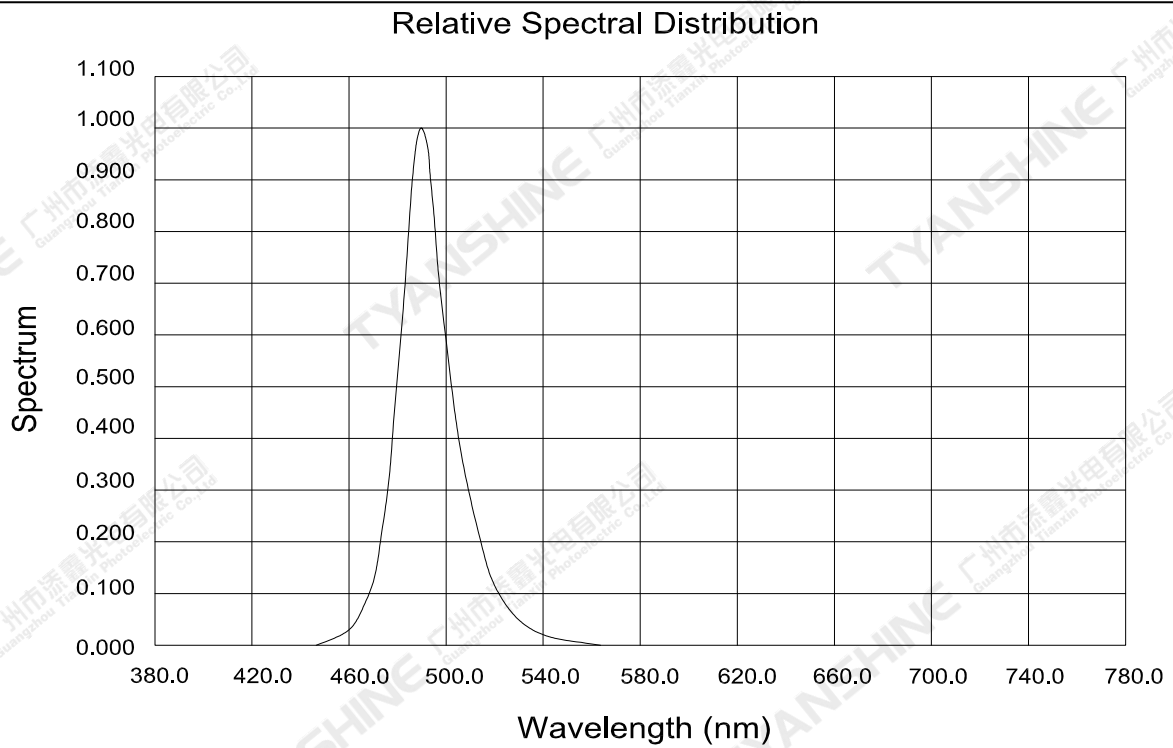
Forward Current VS. Forward Voltage



Forward Current VS. Luminous flux







Notes:

1. $2\theta_{1/2}$ is the off axis angle from lamp centerline where the luminous intensity is 1/2 of the peak value.
2. View angle tolerance is $\pm 5^\circ$.

| | | | | |
|----------|-----------------------------|----------|------------|-------------|
| Part No. | TX-3535C3FC120-OGHCND34-01F | Spec No. | WKF-BE0226 | Page 7 of 9 |
|----------|-----------------------------|----------|------------|-------------|

Usage Precautions

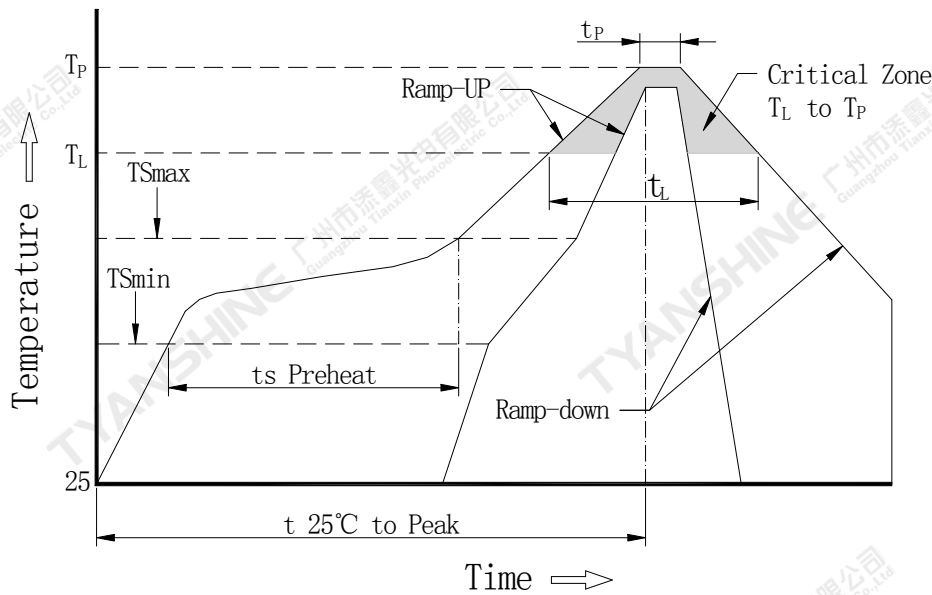
Storage Environment Condition

Temperature: 5°C ~ 30°C (41°F ~ 86°F)

Humidity: 60% RH Max.

Soldering Condition

Use the conditions shown to the under figure.



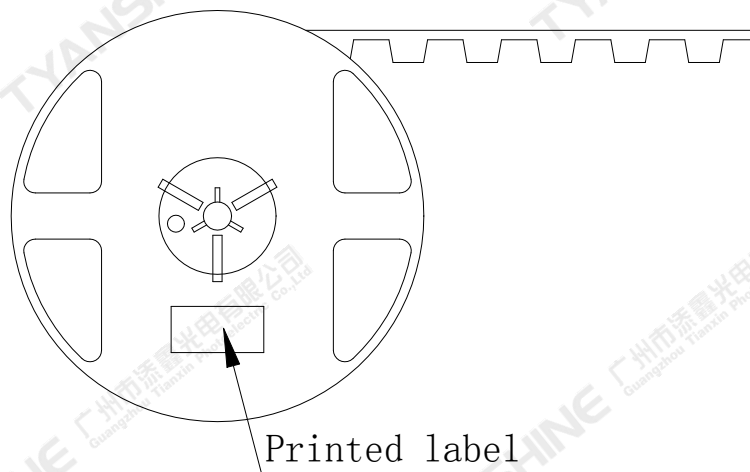
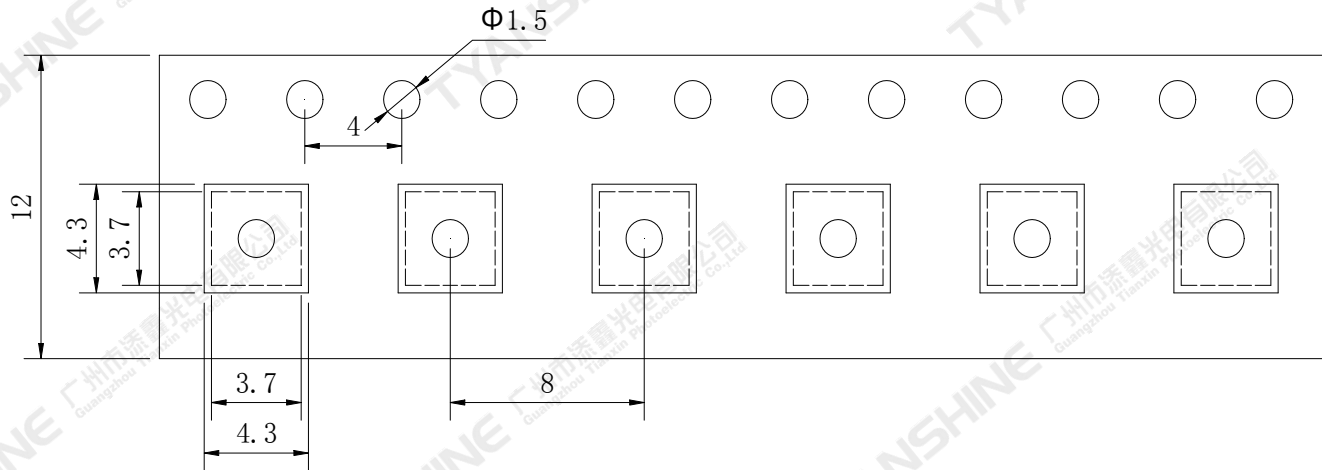
| Profile Feature | Lead-Based Solder |
|--|-------------------|
| Average Ramp-Up Rate (T_{Smax} to T_P) | 3°C/second max. |
| Preheat: Temperature Min (T_{Smin}) | 100°C |
| Preheat: Temperature Max (T_{Smax}) | 150°C |
| Preheat: Time (T_{Smin} to T_{Smax}) | 60-120 seconds |
| Time Maintained Above: Temperature (T_L) | 183°C |
| Time Maintained Above: Time (T_L) | 60-150 seconds |
| Peak/Classification Temperature (T_P) | 225°C |
| Time Within 5°C of Actual Peak Temperature (T_P) | 10-30 seconds |
| Ramp-Down Rate | 6°C/second max. |
| Time 25°C to Peak Temperature | 6 minutes max. |

Note:

All temperatures refer to topside of the package, measured on the package body surface.

Dimensions For Cannulation And Packaging

Quantity:1000 PCS



Notes:

1. All dimensions are in millimeters.
2. Tolerances are ± 2.0 mm unless otherwise noted.
3. The products are packaged together with silica gel, Transport, not to the weight of welding LED light-emitting area, As a result of the weight of LED light-emitting zone in the quality of, Irresponsible of the Company.

| | | | | | |
|----------|-----------------------------|----------|------------|------|--------|
| Part No. | TX-3535C3FC120-OGHCND34-01F | Spec No. | WKF-BE0226 | Page | 9 of 9 |
|----------|-----------------------------|----------|------------|------|--------|